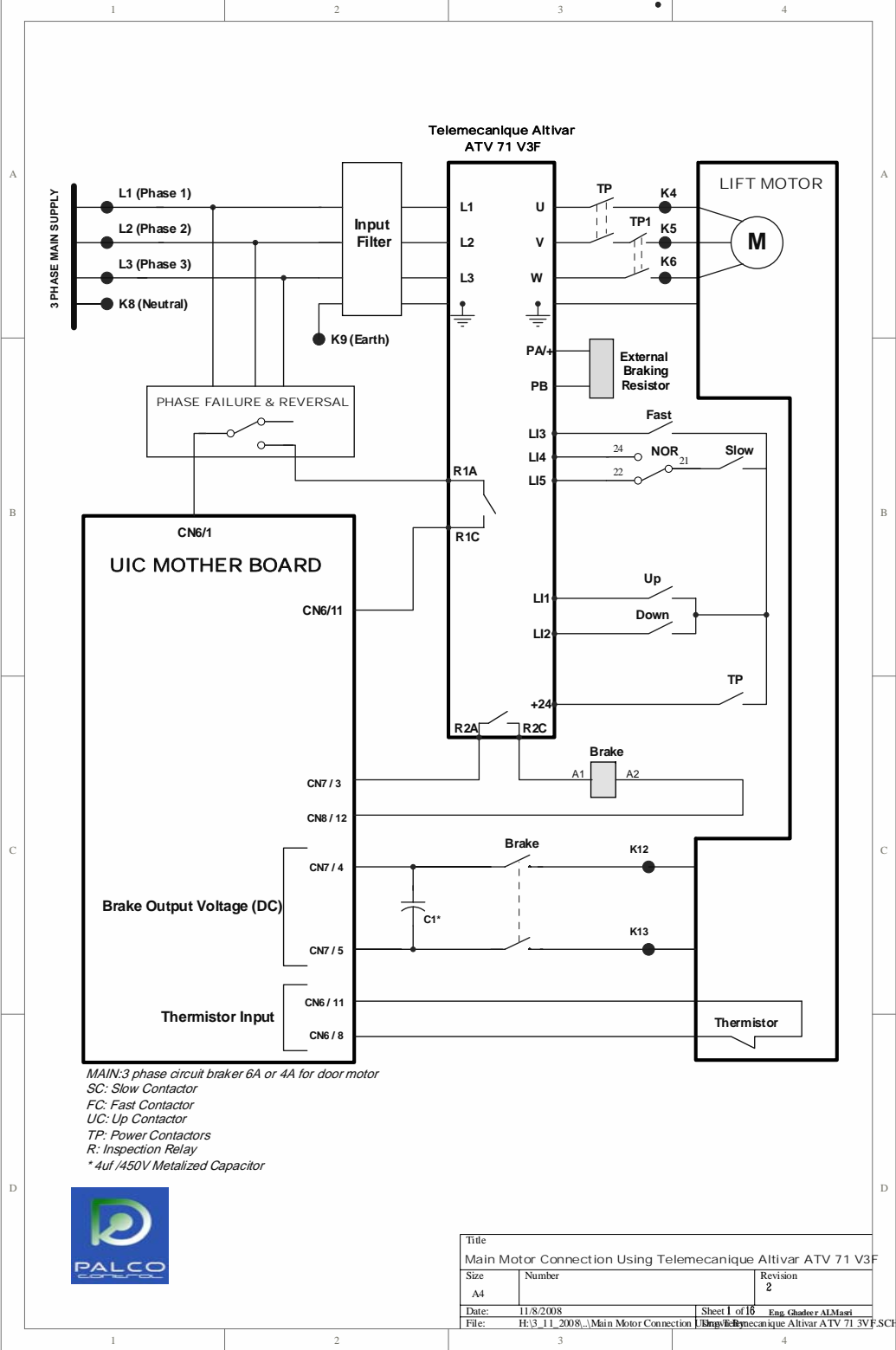


MAIN: 3 phase circuit breaker 6A or 4A for door motor
 SC: Slow Contactor
 FC: Fast Contactor
 UC, DNC: Up Contactor, Down Contactor
 TP1, TP2: Power Contactors
 R: Inspection Relay
 * 4uf /450V Metalized Capacitor

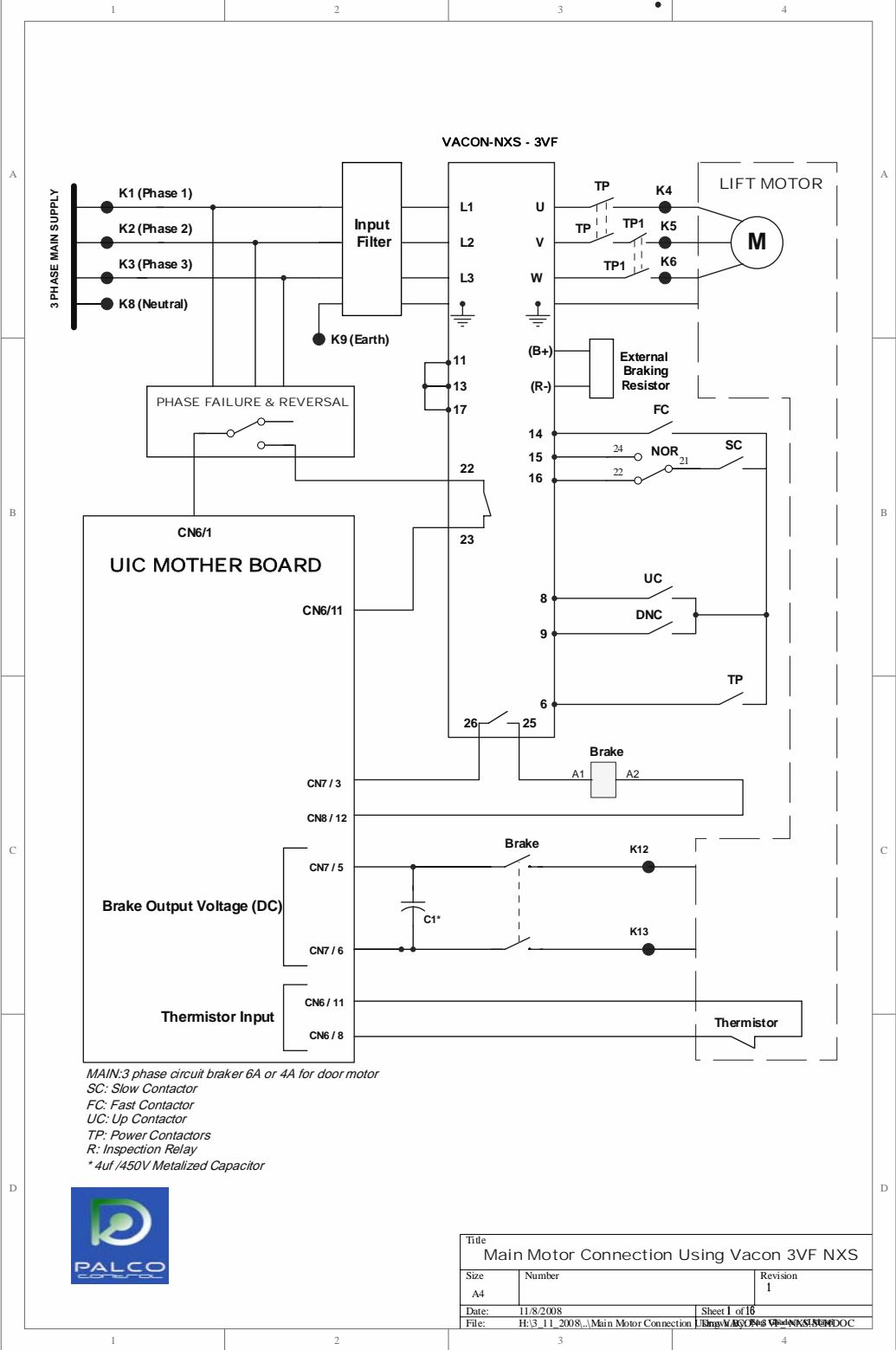
Title		
Main Motor Connection Using Yaskawa 3VF		
Size	Number	Revision
A4		2
Date:	11/8/2008	Sheet of
File:	H:\3_11_2008\11_Main Motor Connection Using Yaskawa 3VF	YASKAWA/SC/DC/OC



MAIN: 3 phase circuit breaker 6A or 4A for door motor
 SC: Slow Contactor
 FC: Fast Contactor
 UC: Up Contactor
 TP: Power Contactors
 R: Inspection Relay
 * 4uf /450V Metalized Capacitor



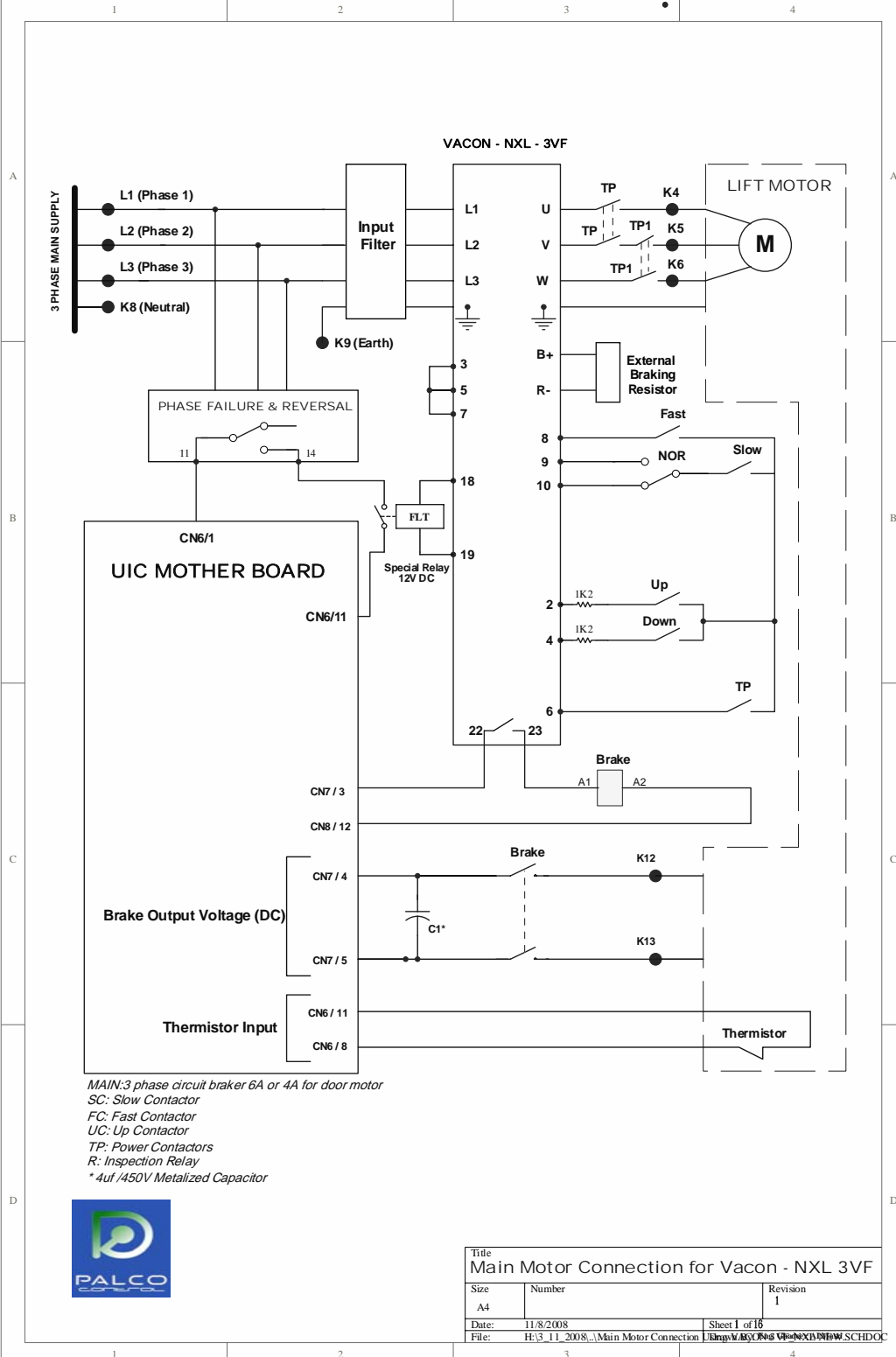
Title		
Main Motor Connection Using Telemecanique Altivar ATV 71 V3F		
Size	Number	Revision
A4		2
Date:	11/8/2008	Sheet 1 of 16
File:	H:\3_11_2008\Main Motor Connection Using Telemecanique Altivar ATV 71 V3F.SCHDOC	Eng. Chadeer AlMasi



MAIN: 3 phase circuit breaker 6A or 4A for door motor
 SC: Slow Contactor
 FC: Fast Contactor
 UC: Up Contactor
 TP: Power Contactors
 R: Inspection Relay
 * 4uf /450V Metalized Capacitor



Title		
Main Motor Connection Using Vacon 3VF NXS		
Size	Number	Revision
A4		1
Date:	11/8/2008	Sheet 1 of 16
File:	H:\3_11_2008\Main Motor Connection Using Vacon 3VF NXS Main DOC	



MAIN: 3 phase circuit breaker 6A or 4A for door motor
 SC: Slow Contactor
 FC: Fast Contactor
 UC: Up Contactor
 TP: Power Contactors
 R: Inspection Relay
 * 4uf /450V Metalized Capacitor



Title		
Main Motor Connection for Vacon - NXL 3VF		
Size	Number	Revision
A4		1
Date:	11/8/2008	Sheet 1 of 16
File:	H:\3_11_2008\Main Motor Connection for Vacon - NXL 3VF.SCHDOC	